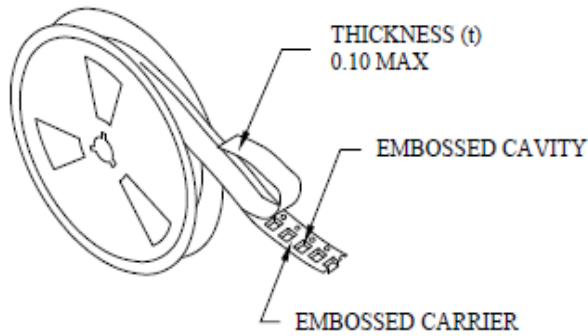
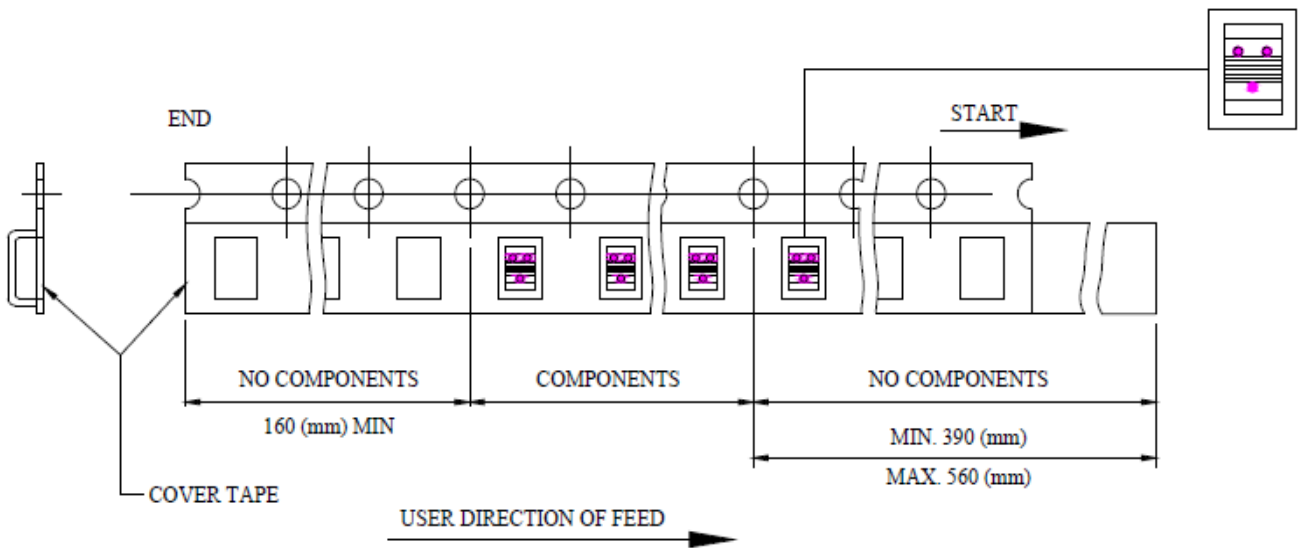
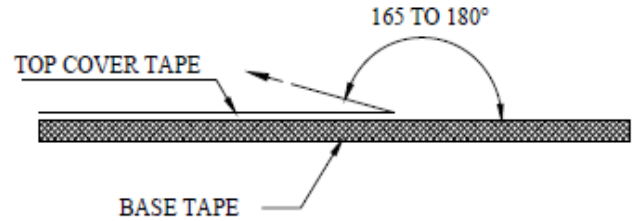


## Packaging Information

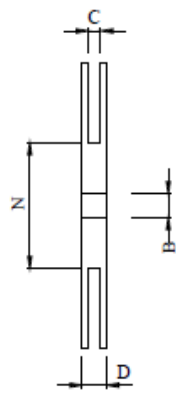
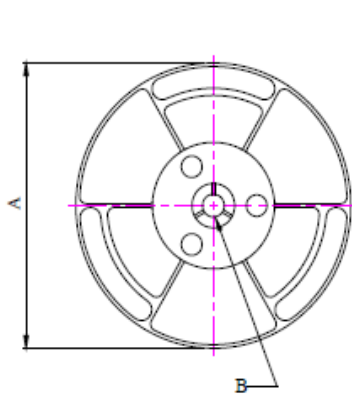


- THE FORCE FOR TEARING OFF COVER TAPE IS 10 TO 100 GRAMS IN THE ARROW DIRECTION.

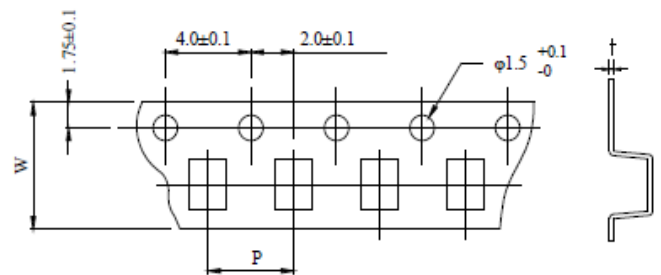


### ■ CARRIER TAPE REELS (mm)

MATERIAL: PLASTIC



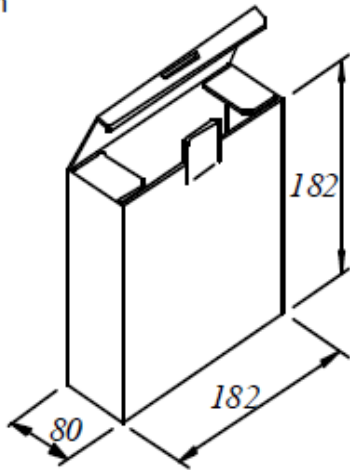
### ■ DIMENSIONS OF CARRIER TAPE (mm)



UNIT:mm

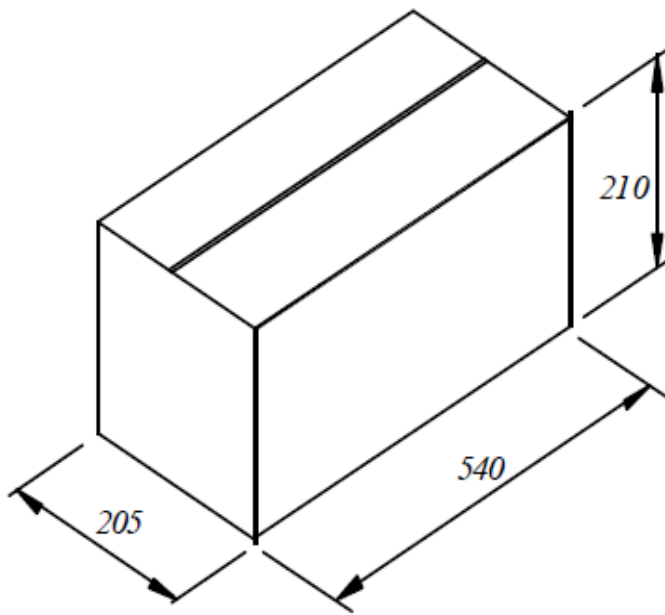
	A	B	C	D	N	P	W	t
DIM.	178	13.0	8.4	12.5	50	4.0	8.0	0.26
TOL.	±2.0	±0.8	-	-	MIN	±0.1	±0.2	±0.05

UNIT: mm



• CONSTRUCTION:  
A BOX CONTAINS 5 REELS

QTY: 2000/REEL  
10000/BOX



TOTAL QTY: 60,000 PCS/CARTON